

CIO351

Eaton's Cooper 3 Channel I/O Unit



An extensive range of interfaces are available to support the Cooper range of control panels, providing solutions for most design requirements.

The 3 channel I/O unit (CIO351) enables simple interfacing between the fire system and other equipment such as nurse call systems or access control systems. The inputs are fully monitored for open and short circuits.

Two models of the 3 channel I/O unit are available:

CIO351 - resets on reset

CIO351S - resets on silence alarms

CIO351SST - on reset (recognised as 3 addresses)

Features

- Soft addressed
- Integral short circuit isolator
- 3 separate inputs and 3 separate outputs
- Inputs monitored for open and short circuits

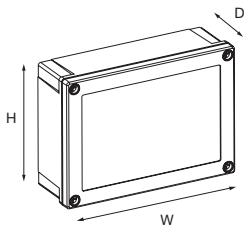
Benefits

- Quick and simple to install
- No hard addressing required (Plug and play)
- Unit takes 3 inputs, and 3 outputs
 - Only 1 address required to monitor and control, saving on equipment and installation (main unit)

Technical Specification

Code	CIO351 / CIO351S
Description	3 Channel I/O Unit
Standards	EN54 Pt17 & Pt18 2005
Specification	
Operating Voltage	18V dc to 30V dc
Quiescent Current	310µA
Maximum Switching Voltage	50V ac or 30V dc
Output Relay Contact Rating	1A at 30V resistive, 0.5A inductive
Environmental	
Operating Temperature	-10°C to +60°C
Humidity (non condensing)	0 to 95% RH
Physical	
Construction	PC/ABS
Dimensions (H x W x D)	129mm x 180mm x 60mm
Weight	0.23kg
Ingress Protection	IP40
Compatibility	
Suitable for use with	Cooper Intelligent Addressable Fire Systems

Dimensions

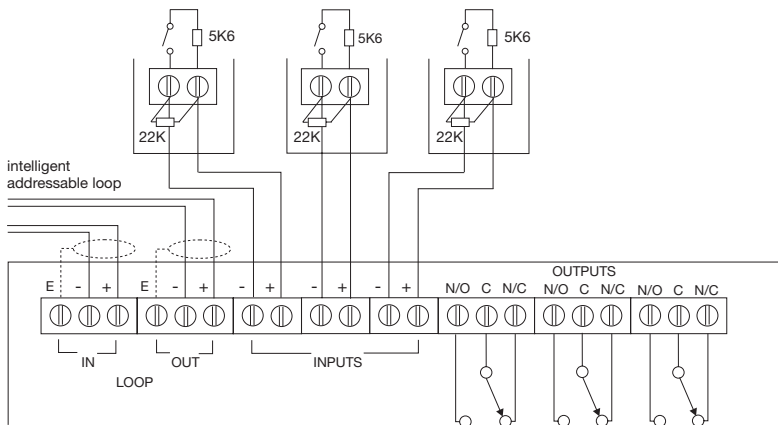


H (mm)	W (mm)	D (mm)
129	180	60

Installation

1. 3 Channel input output unit is fixed to a deep double gang back box (supplied).
2. All connections are via heavy duty terminals.
3. Cable entry can be top, bottom, side or rear.
4. Can be surface or semi recessed mounted.
5. Relay contacts are rated at 30V dc 1A.

Standard Connections



- NOTES:
1. Earth (Screen) cable must be connected to its adjacent earth terminal.
 2. The end of line resistor must always be fitted, even if input is not used.
 3. Input circuit is monitored for wiring open and short circuit.
 4. Output relay is a set of changeover volt free-contacts and is not monitored.

Catalogue numbers

Description	Code
3 Channel I/O Unit (resets on reset)	CIO351
3 Channel I/O Unit (resets on silence alarms)	CIO351S
3 Channel I/O Unit (resets on reset - recognised as 3 addresses)	CIO351SST