

MAB870 Beacon Specification

Supply Voltage	: 17 ~ 32 Vdc
Cable Size	: 0.5 ~ 2.5mm
Recommended cable	: FIRETUF, FP200 or MICC
Lens Colour	: Red Polycarbonate
Standby current	: < 250 uA
Alarm current	: < 4.1 mA
Flash frequency	: 1/2 Hz
Operating temperature	: -10 to +55 degrees C (95%RH)
IP Rating	: IP54

Cooper Lighting and Security
 Wheatley Hall Road,
 Doncaster,
 South Yorkshire,
 DN2 4NB
 Tel: 01302 321 541
 www.cooper-ls.com



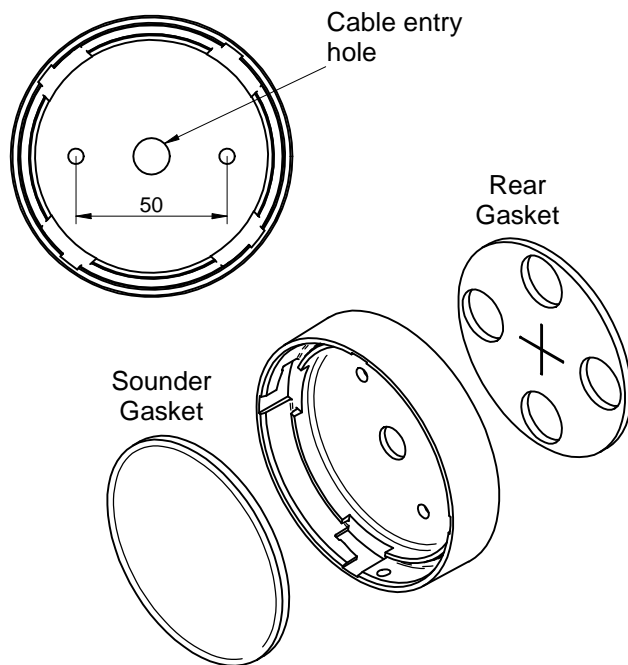
Order Codes

MAB870 Addressable Beacon

Installation Details

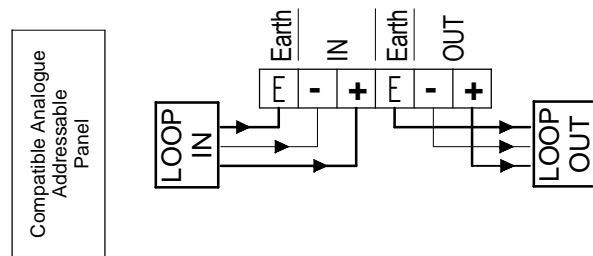
1. Mounting base

(i) Fix to mounting surface using two suitable screws - the rear gasket fits underneath the base, and the sounder gasket fits inside the base.



2. Connection details

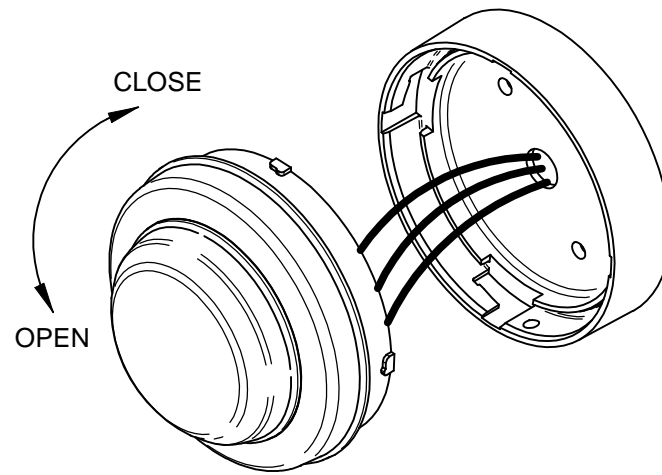
(i) Earth screen must be continuous along entire length of loop.



WARNING:

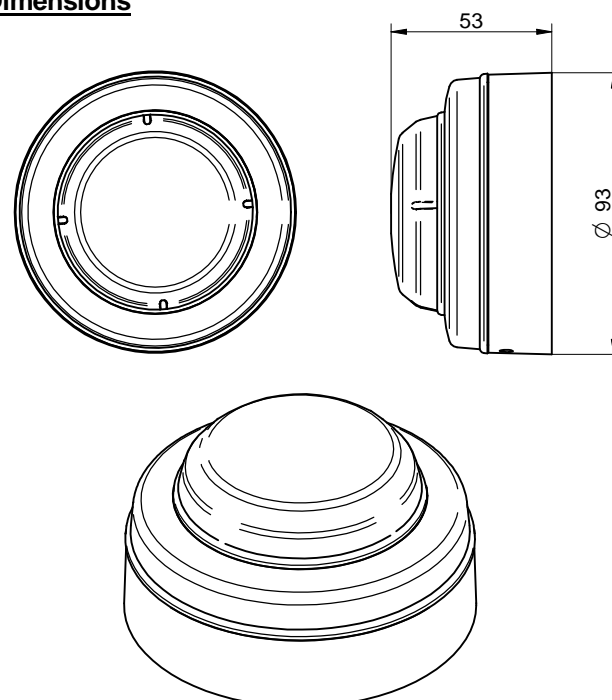
Do NOT use high voltage testers if ANY equipment is connected to the system.

3. Fitting beacon to base



Care should be taken to ensure the cable does not put stress on the circuit board.

Dimensions



25-5593 A