

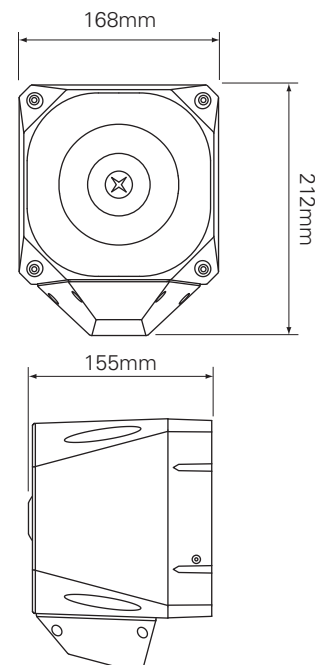
# Asserta Maxi Sounder Beacon

The Asserta Industrial warning sounder beacon is designed to cope with harsh environments requiring protection to IP66. Design features are incorporated to ensure safe and easy installation, while providing flexibility with fewer product variants.



## Technical Specification

Voltage	18 - 30Vdc 230Vac
Current Sounder	110dB(A) 105mA @ 24Vdc (Typical Tone 3) 120dB(A) 450mA @ 24Vdc (Typical Tone 3) 110dB(A) 40mA @ 230Vac (Typical Tone 3) 120dB(A) 65mA @ 230Vac (Typical Tone 3)
Current Beacon	120 - 620mA @ 24Vdc (dependant on setting) 15mA @ 230Vac
Output	110dB(A) 120dB(A)
Tones	42
Flash Power	3.6j @ 24Vdc 2.0j @ 230Vac
Flash Rate	1Hz (adjustable on 24Vdc)
Monitoring	Reverse polarity (dc version)
Temperature	- 25°C to + 70°C
Protection	IP66
Construction	ABS, PC
Weight	1.8Kg (dc version) 2.5Kg (mains version)
Colour	Red or grey
Lens colour	Red, amber, blue or clear



### Features

- Powerful 120dB(A) output
- 3 stage alarm and time out function
- 42 alarm tones
- Asymmetric beacon

### Benefits

- Maximum sound output for high noise environments
- 3 levels of alarm for differing warning states
- Large range of tone options
- Efficient use of light reduces current while generating the same intensity as a 5j beacon

### Reference

AS/SB/24/120/R/RL  
AS/SB/24/120/R/AL  
AS/SB/230/R/120/RL  
AS/SB/230/R/120/AL  
AS/SB/230/G/120/AL  
AS/SB/230/R/110/RL

### Catalogue No.

7021121FUL-0004X  
7021122FUL-0113X  
7022121FUL-0006  
7022122FUL-0114  
7092276FUL-0153  
7022111FUL-0005

### Description

Asserta Sounder/Beacon, 24Vdc, Red, 120dB, Red Lens  
Asserta Sounder/Beacon, 24Vdc, Red, 120dB, Amber Lens  
Asserta Sounder/Beacon, 230Vac, Red, 120dB, Red Lens  
Asserta Sounder/Beacon, 230Vac, Red, 120dB, Amber Lens  
Asserta Sounder/Beacon 230Vac, Grey, 120dB, Amber Lens  
Asserta Sounder/Beacon 230Vac, Red, 110dB, Red Lens