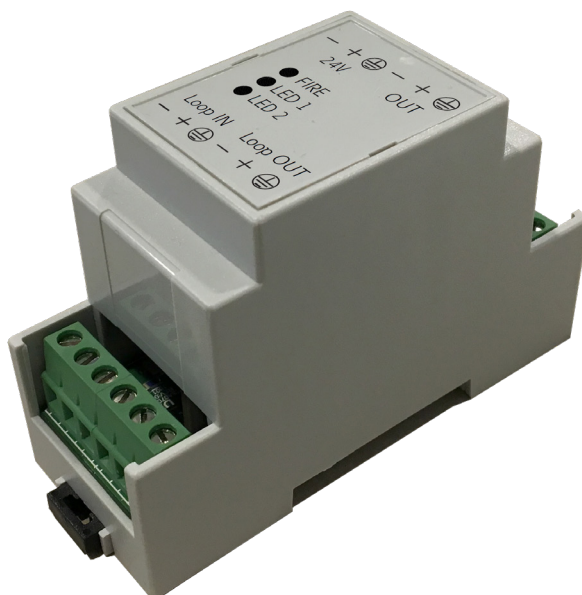


# Series DIN-OM

## Eaton's Monitored Output Module



The Monitored Output Module is designed to enable sounders and beacons with conventional fire detection to be fully integrated with a main intelligent addressable fire system.

The module is designed for ease of installation with no hard addressing required, and it uses just a single address. It is certified to EN54 parts 17 & 18.

An external power supply is required to drive the output circuit. This power supply must be regulated for fire and current limited.

### Features

- Soft addressed
- Integral short circuit isolator
- Single address
- Provides conventional sounder circuit
- DIN01-OM: Resets on Silence Alarm & Reset
- DIN02-OM: Resets on Reset

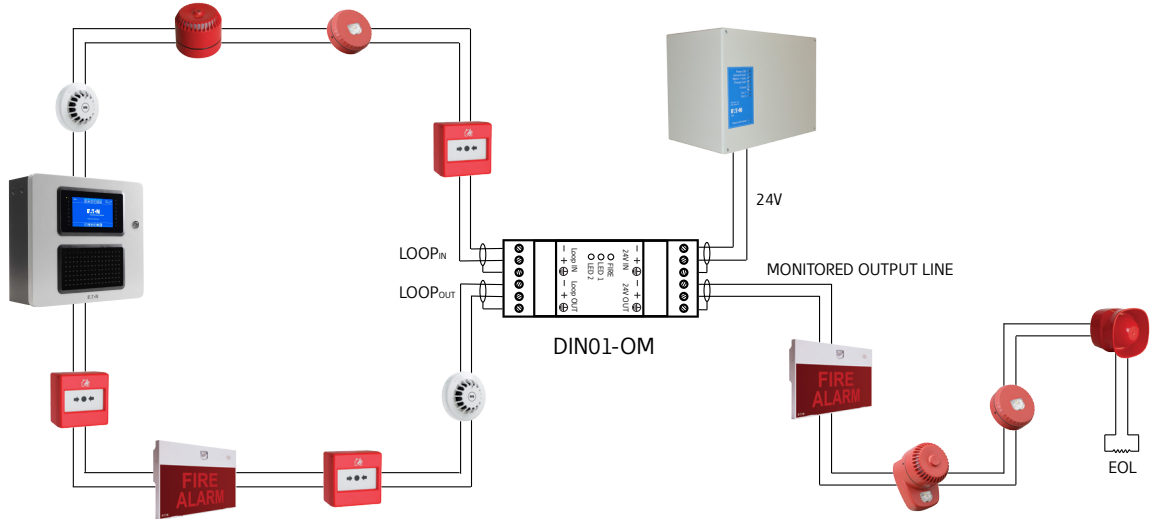
### Benefits

- Quick and simple to install
- No hard addressing required (Plug and play)
- Monitored line suitable for high SPL sounders

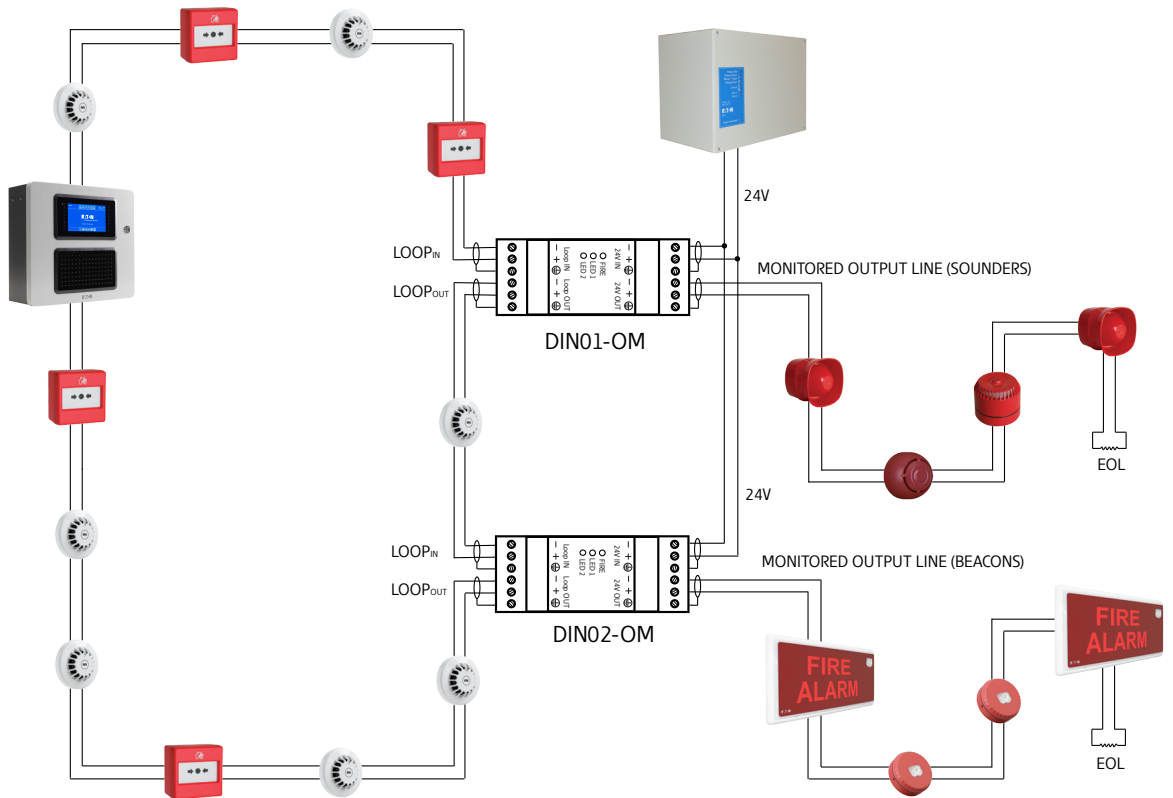
### Technical Specifications

<b>Certification</b>	EN54 Pt 17 & 18
<b>Voltage</b>	20-30Vdc
<b>Quiescent Current</b>	3.4mA (max)
<b>Quiescent Load Current</b>	2.8 mA (max)
<b>Alarm Current</b>	8mA (max)
<b>Output Load</b>	1A (max)
<b>Sounder circuit EOL</b>	6K8 0hm
<b>Operating temperature</b>	-10°C to +55°C
<b>Monitoring</b>	Reverse Polarity
<b>Ingress Protection</b>	IP40
<b>Weight</b>	80g
<b>Dimensions</b>	H 90.2 x W 36.3 x D 57.5 mm

Standard Connections



Standard connections for installation in combination with PAVA system



Catalogue numbers

Reference	Catalogue Number	Description
EFAD07A-05OU00	DIN01-OM	DIN RAIL MONITORED OUTPUT - Resets on Silence Alarm and Reset
EFAD07A-05OU02	DIN02-OM	DIN RAIL MONITORED OUTPUT - Resets on Reset

**Eaton**  
 Electrical Sector EMEA  
 Route de la Longeraie 7  
 1110 Morges, Switzerland

**Eaton**  
 Cooper CSA srl  
 Via San Bovio, 3  
 20054 Segrate (MI)  
 Tel: +39 02.959501  
 Fax: +39 02.95950598  
 Web: www.eaton.com



© 2025 Eaton  
 All Rights Reserved  
 Publication No. DS-DIN01-EN\_06  
 Article No. DIN01-OM, DIN02-OM  
 May 2025

Eaton is a registered trademark.  
 All other trademarks are property  
 of their respective owners.